



[Catalog Home](#)

Product Datasheet

**CHANCE**

**SG611 -- BRACE, POLE**



Pole Brace for use in push pole applications where guying is not feasible. Adjustable for different pole angles. For poles diameters of 6" to 11". Base diameter is 4" x 8". Mounts with 3/4" diameter machine bolts. Hinge bolt is 3/4".

**Product Specifications**

Product Group	Brace, Pole
Product Finish	Galvanized
Material	Ductile Iron per ASTM A-536
Description	For 6" to 11" Pole Diameters
Return Type	Standard
UPC Code	09635905302
Standard Package	4
Unit of Measure	EA
Min Order Qty	4
Pallet Quantity	128
Weight / Ea.	15.445 lbs
Drawing	Click <a href="#">HERE</a> to view drawing.

**Compressed Product Number**

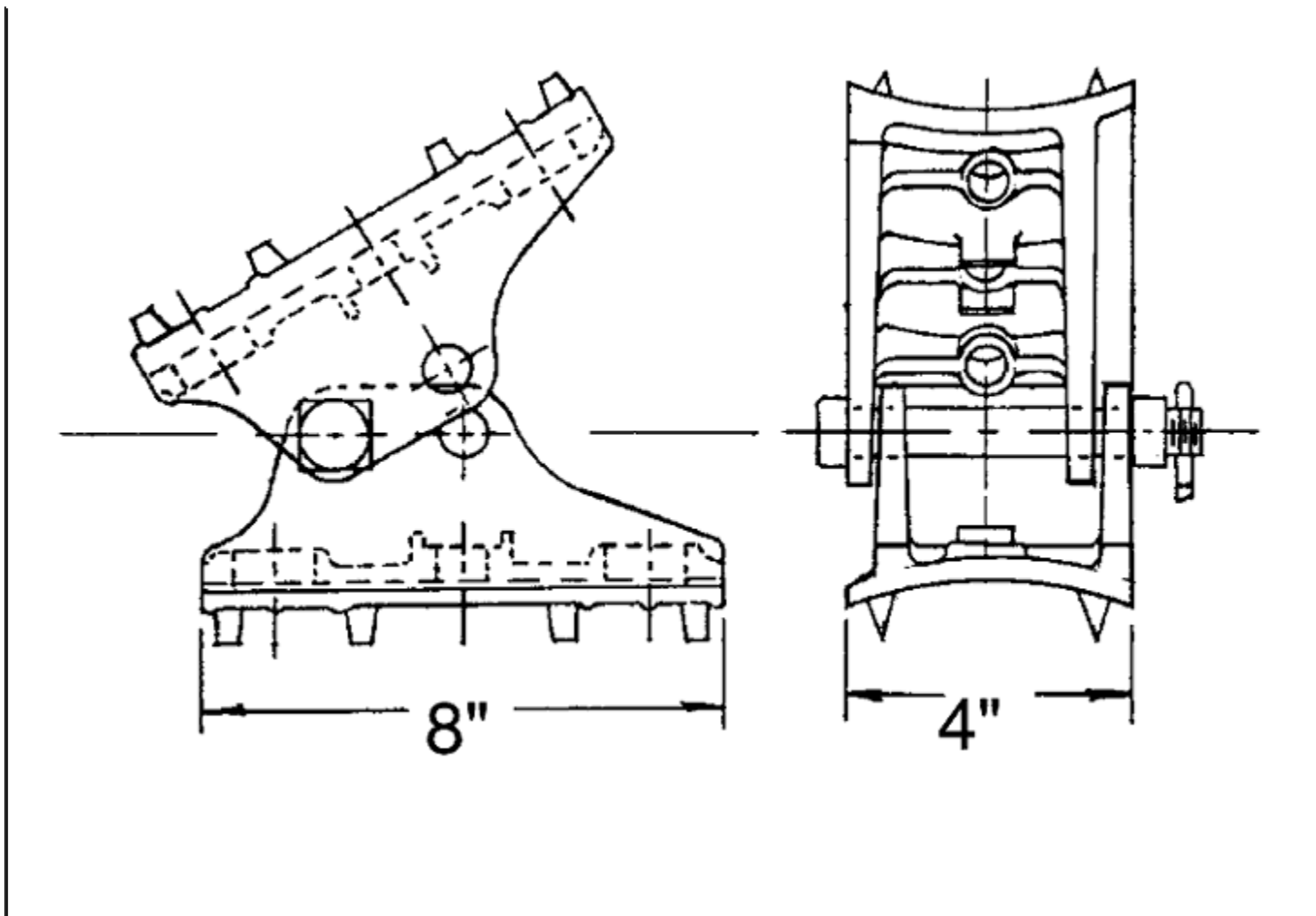
SG611



For more information or to place an order,  
 please contact Supply Solutions at  
 866-978-7759.  
 Courtesy of Hubbell Power Systems.



For more information or to place an order,  
please contact Supply Solutions at  
866-978-7759.  
Courtesy of Hubbell Power Systems.



Catalog Home



[Warranty Info](#) | [Trademarks](#) | [Terms of Use](#)

All contents Copyright © 2007 Hubbell Power Systems, Inc. All rights reserved.

NOTE: Because Hubbell has a policy of continuous product improvement, we reserve the right to change design and specifications without notice.



For more information or to place an order,  
please contact Supply Solutions at  
866-978-7759.  
Courtesy of Hubbell Power Systems.