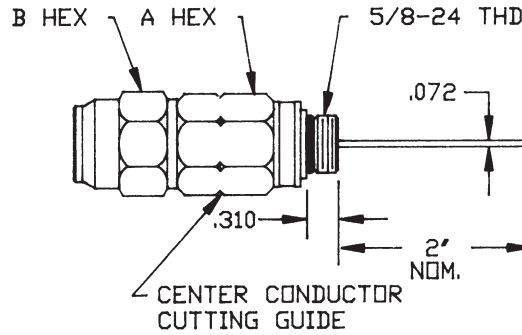


**“K” Series
Two Piece Pin Type**



5/8"- 24 2 piece pin type entry connector with auto seize technology for enhanced cable seizure. 2" pin and center conductor cutting guide are standard. Common hex size per connector with tapered back nut for consistent heat shrink application. Re-enterable and reusable.



Ordering Information

CABLE TYPE	CATALOG NUMBER	CENTER COND	CABLE OD	DIM A	DIM B	INNER PACK	OUTER PACK
P3 & T10	EI412K3	.092	.412	13/16	7/8	25	200
	EI500K3	.109	.500	1	1	20	160
	EI625K3	.137	.625	1	1	20	160
	EI750K3	.167	.750	1-1/8	1-1/8	16	128
	EI875K3	.194	.875	1-3/8	1-3/8	9	72
	EI1000K3	.220	1.000	1-1/2	1-1/2	9	36
QR	EI500QR	.117	.580	1	1	20	160
	EI540QR	.124	.610	1	1	20	160
	EI715QR	.166	.785	1-3/16	1-3/16	14	112
	EI860QR	.203	.960	1-1/2	1-1/2	9	72
	EI1125QR	.263	1.225	1-3/4	1-3/4	6	24
TX	EI565TX	.129	.565	1		120	160
	EI700TX	.163	.703	1-1/8	1-1/8	12	96
	EI840TX	.194	.840	1-3/8	1-3/8	9	72
	EI1160TX	.269	1.160	1-3/4	1-3/4	6	24
MC²	EI440MC2	.105	.450	1	1	20	160
	EI500MC2	.123	.510	1	1	20	160
	EI650MC2	.156	.640	1-1/8	1-1/8	16	128
	EI750MC2	.185	.760	1-1/8	1-1/8	16	128
	EI1000MC2	.248	1.015	1-1/2	1-1/2	9	36
P1	EI412K	.080	.412	13/16	7/8	25	200
	EI500K	.100	.500	1	1	20	160
	EI750K	.148	.750	1-1/8	1-1/8	16	128



For more information or to place an order, please contact Supply Solutions at 866-978-7759.

PDF courtesy of Thomas & Betts.