



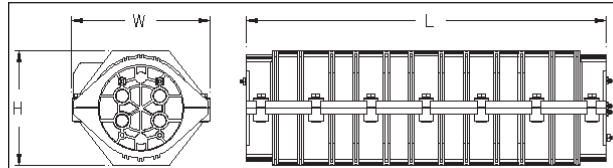
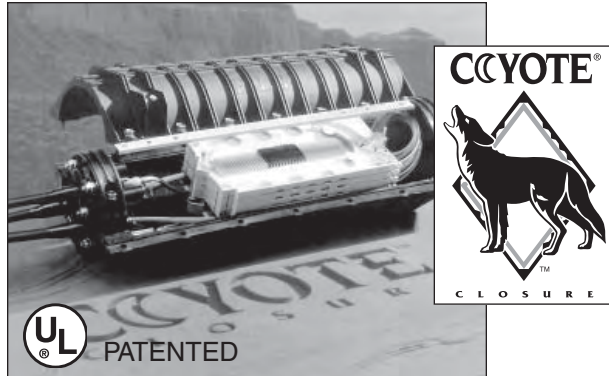
# COYOTE® Closure

For further information, or to place an order, contact Supply Solutions, LLC .

PHONE: 866-978-7759

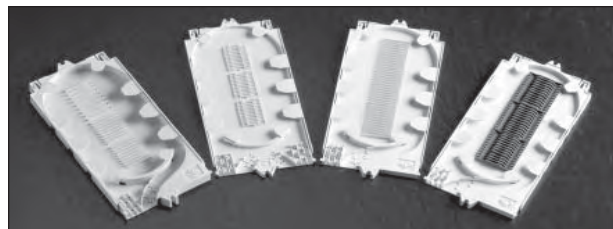
PDF Courtesy of Preformed Line Products

## Origin of the Species...



Size	L (cm)	W (cm)	H (cm)
6.0" x 22"	22" (56)	8½" (22)	7" (18)
8.5" x 22"	22" (56)	10-3/4" (27)	9¼" (24)

Setting the bar against which all other fiber closures are measured was no small task for our design team. But years of research & development eventually paid off in the form of a rugged and reliable design that has become legend. After over ten years of field use and several hundred thousand units sold, the original COYOTE Closure still remains one of the most highly regarded and widely used fiber optic closures in the industry.



COYOTE Splice Trays

### Key Features:

- Available in two sizes
  - 6.0" x 22" (15cm x 56cm)
  - 8.5" x 22" (22cm x 56cm)
- Two end plate options – 4 Port and 6 Port
  - 6 Port provides (4) 7/8" (22mm) ports and (2) 3/4" (19mm) ports
  - 4 Port provides (2) 1 1/4" (32mm) ports and (2) 1" (25mm) ports
- Large splice capacity
  - Up to 396 with single fusion
  - UP to 576 with mass fusion
- Can be configured for butt or in-line applications
- Organizers designed for loose buffer tube and ribbon applications
- Compact size allows for mounting in smaller locations
- Provided with LOCK-TAPE Sealing System
- Accepts a wide variety of grommets for multi drop applications
- Field proven permanent neoprene gasket system
- No re-entry kits required
- Future cable ports provide capability for future cable installation, without end plate removal
- Integrated air valve to confirm integrity of final assembly
- Full line of mounting hardware
- **UL Approved and RUS Listed**
- Tested in accordance to Telcordia GR-771 CORE

### Splice Tray Installation Materials Kits

Catalog Number	Description
8003509	60 mm heat shrink splice protector (12 per kit)
8003092	Splice protector (single fusion), NON heat shrink, 250/250 micron (20 per kit)
8003425	Splice protector (mass fusion), NON heat shrink (12 per kit)
8003361	Fusion splice protector holder kit
8003490	Felt strips 1 1/8" x 9" (6 per kit)
8003381	12-Count soft elastomer splice block kit (3 per kit)
80805293	Transport tube kit, includes (6) transport tubes 0.135" I.D.
80806439	Transport tube kit, includes (6) transport tubes 0.170" I.D. will contain (6) 12 fiber ribbons
80807989	Transport tube kit (bulk) – 100 ft coil of transport tube 0.170" I.D. - will contain (6) 12 fiber ribbons
80807991	Transport tube kit (bulk) – 100 ft coil of transport tube 0.250" I.D. - will contain (12) 12 fiber ribbons
8003285	Transport tube kit, color coded, includes (6) transport tubes 0.135" I.D.

# COYOTE® Closure

Splice Tray/Closure Capacities						
Splice Tray Depth	Description	Splices per Tray	6.5" x 22"		8.5" x 22"	
			Trays per Closure	Closure Capacity	Trays per Closure	Closure Capacity
Low Profile	Single Fusion	36	6	216	11	396
Standard	Single Fusion & Single Mechanical	36	4	144	8	288
Ribbon	Mass Fusion	144	2	288	4	576

COYOTE Closure Kits			
Catalog Number		Organizer Type	Description
6 Port End Plate	4 Port End Plate		
8006560	8006633	Buffer Tube	6" x 22" Coyote Closure, includes (1) 3 section end plate, (1) blank end plate, organizer and LOCK-TAPE sealing materials
8006540	8006631	Unitube Transition Compartment	6" x 22" Coyote Closure, includes (1) 3 section end plate, (1) blank end plate, organizer, transport tube kit, transition tube kit and LOCK-TAPE sealing materials
8006587	8006635	Express Buffer Tube	6" x 22" Coyote Closure, includes (1) 3 section end plate, (1) blank end plate, express organizer and LOCK-TAPE sealing materials
8006659		Buffer Tube	RUS LISTED - 6" x 22" Coyote Closure, includes (1) 3 section end plate, (1) blank end plate, organizer, LOCK-TAPE sealing materials and (2) RUS listed shield connectors
8006561	8006634	Buffer Tube	8.5" x 22" Coyote Closure, includes (1) 3 section end plate, (1) blank end plate, organizer and LOCK-TAPE sealing materials
8006541	8006632	Unitube Transition Compartment	8.5" x 22" Coyote Closure, includes (1) 3 section end plate, (1) blank end plate, organizer, transport tube kit, transition tube kit and LOCK-TAPE sealing materials
8006588	8006636	Express Buffer Tube	8.5" x 22" Coyote Closure, includes (1) 3 section end plate, (1) blank end plate, express organizer and LOCK-TAPE sealing materials
8006660		Buffer Tube	RUS LISTED - 8.5" x 22" Coyote Closure, includes (1) 3 section end plate, (1) blank end plate, organizer, LOCK-TAPE sealing materials and (2) RUS listed shield connectors

UL Approved, RUS Listed, Patented

COYOTE Closure Splice Tray Kits			
Catalog Number	Description	6.5" x 17" or Smaller	6" x 22" or Larger
80807701	12 Count Low Profile Tray w/plastic splice block - single fusion splices	X	
80807769	12 Count Low Profile Tray (Blank) No Splice Block	X	
80806033	12 Count Standard Tray w/elastomeric splice block - Fusion & mechanical splices	X	
80806182	12 Count Standard Tray (Blank) - No Splice Block	X	
80807114	72 Count Ribbon Tray w/Elastomeric Splice Block for Mass Fusion	X	
80808160	Ribbon Tray (Blank) No splice Block	X	
8001127	36 Count Low Profile Tray w/plastic splice block - single fusion splices		X
80807769	Blank Low Profile Splice Tray		X
80805514	36 Count Standard Tray w/elastomeric splice blocks - Fusion & mechanical splices		X
80805110	36 Count Standard Tray w/fixed rigid slots		X
80805509	36 Count Standard Tray (Blank) - No splice Block		X
80805146	144 Count Ribbon Tray w/fixed rigid slots		X
80805515	144 Count Ribbon Tray w/ 2 elastomeric splice blocks		X
80805510	144 Count Ribbon Tray (Blank) - No splice blocks		X



# COYOTE® Closure End Plates and Accessories

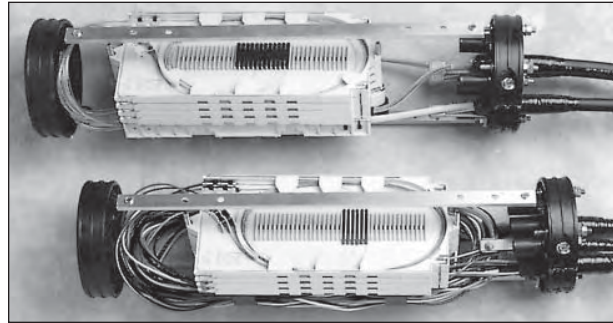
## Origin of the Species...

COYOTE Closure Shell Kits	
Catalog Number	Description (mm)
80805258	6.0" (152) x 22.0" (559) COYOTE Shell Kit
80805259	8.5" (216) x 22.0" (559) COYOTE Shell Kit

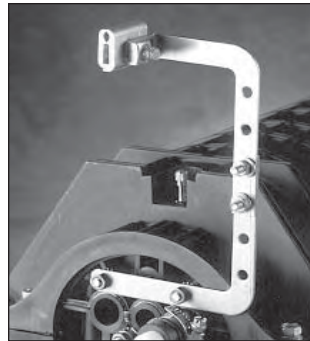
Transition and Buffer Tube Storage Compartments	
Catalog Number	Description (mm)
80805112	6.0"(152) x 22.0" (559) Transition Compartment Kit
80805113	8.5" (216)x 22.0" (559) Transition Compartment Kit
80805262	6.0" (152) x 22.0" (559) Loose Buffer Tube Storage Compartment Kit
80805419	6.0" (152) x 22.0" (559) COYOTE Express Organizer (for loose buffer tube applications)
80805263	8.5" (216) x 22.0" (559) Loose Buffer Tube Storage Compartment Kit
80805420	8.5" (216) x 22.0" (559) COYOTE Express Organizer (for loose buffer tube applications)
8003280	Transition Tube Kit for fiber transition from top section of end plate to transition compartment

Installation Materials	
Catalog Number	Description (mm)
80805238	C-Cement, 1 oz. tube
80802377	C-Cement, 4 oz. can
80803448	Moisture Blocking Sealant, 3 oz. tube
80805925	LOCK-TAPE™ Sealant 1" (25) W x 15' (4 m) L
8003092	Splice Protector, non-heat shrink 250/250 micron, pack of 20
8003361	Fusion Splice Protector Holder Kit
8003425	Mass Fusion Splice Protector, non-heat shrink, pack of 12
8003509	60 mm Heat Shrink Splice Protector, pack of 12
8003490	Felt strips (blue) 1 1/8" (29) x 9" (229), 6 strips

Unitube Transition Compartment



Loose Buffer Tube Storage Compartment



Adjustable Aerial Hanger Bracket

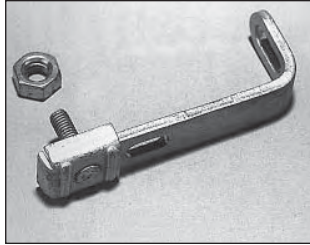


Vertical Mount Bracket

Mounting Brackets/Supports	
Catalog Number	Description (mm)
8003325	Adjustable Aerial Hanger Bracket Kit
8003279	Manhole Support Bracket Kit
8003372	Vertical Mount Bracket Kit (for 6.0" (152) or 8.5"(216) COYOTE Closure or 6.0" (152) COYOTE PUP Closure)

# COYOTE® Closure End Plates and Accessories

## Origin of the Species...



Strength Member Bracket



Extended Strength Member Bracket



Exterior Bond Braid

Misc. Accessories	
Catalog Number	Description(mm)
80805260	Blank End Plate Kit
80805107	Strength Member Bracket Kit - two per kit
80805431	Extended Strength Member Bracket Kit - two per Kit
8003386	Heat Shield for 6.0" (152) x 22.0" (559) COYOTE Closure™
8003387	Heat Shield for 8.5" (216) x 22.0" (559) COYOTE Closure
8003385	Flame-Retardant Blanket for 6.0" (152) x 22.0" (559) COYOTE Closure
8003388	Flame-Retardant Blanket for 8.5" (216) x 22.0" (559) COYOTE Closure™
8003280	Transition Tube Kit Used to transition fibers from the top section of the End Plate to the Transition Compartment.
8000475	COYOTE Closure End Plate Removal Tool
80805293	Transport Tube Kit .135" ID: includes six 34" long transPort with Hardened Adapter tubes, used to bring fiber from transition compartment to splice tray
80806439	Transport Tube Kit .25" ID: includes six 34" long transPort with Hardened Adapter tubes, used to bring fiber from transition compartment to splice tray

Bonding and Grounding Kits	
Catalog Number	Description
8003281	External bond clip kit
8003360	External bond braid kit
8003463	External isolation terminal kit, includes (2) isolation terminals with 10" long #6 cable stub and splice sleeve
8003464	External isolation terminal kit, includes (2) isolation terminals with 10" long #6 cable stub and quick disconnect
8003465	Quick disconnect kit (2 per kit)
80806750	External isolation connector for COYOTE Closures
80803989	Fiber optic shield connector, RUS Listed 3M #4460-D/FO (1 per kit)
80806743	Fiber optic shield connector for up to .5" (13mm) cable O.D.
80806744	Fiber optic shield connector for .5" to .8" (13 - 20mm) cable O.D.
80806745	Fiber optic shield connector for .8" to 1.6" (20 - 41mm) cable O.D.
80805286	Adapter bracket kit for AT&T bond connector (4 per kit)
8003322	Isolated ground kit for 0.27" to .31" (7 - 8mm)
8003424	Strength member bracket isolation kit, includes (6) nylon washers and bushings
80806179	Bonding Braid, .5" W x 7" L with (2) eyelets spaced 6" apart



# COYOTE® Closure End Plates and Accessories

## User options for COYOTE Closure Three-Section End Plate Ports

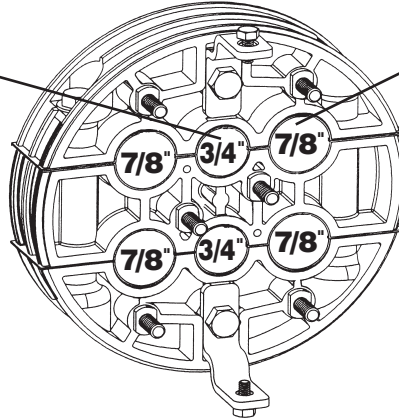
**Three-Section Six Port End Plate  
(Cat. No. 80805105)**

**Two 3/4" (19 mm) Ports**

Available options:

- Cables up to 0.75" (19 mm) in diameter
- See Grommet table
- 3/4" (19 mm) Plug (Cat. No. 80806037, two per kit)

**Note:** Three-Section Six Port End Plate Kits include three 7/8" (22 mm) Plugs, two (2) 3/4" (19 mm) Plugs and two Strength Member Brackets.



**Four 7/8"(22 mm) Ports**

Available options:

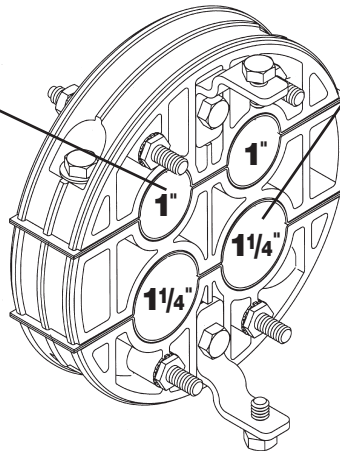
- Cables up to 0.88" (22 mm) in diameter
- Future Cable Port, 0.56" (14 mm) max. cable diameter
- See Grommet table
- 7/8" Plug Kit (80806180)

**Three-Section Four Port End Plate  
(Cat. No. 80805739)**

**Two 1" (25 mm) Ports**

Available options:

- Cables up to 1.00" (21 mm) in diameter
- Future Cable Port, 0.81" (21 mm) max. cable diameter
- See Grommet table
- 1" Plug Kit (80806038)



**Two 1 1/4" (32 mm) Ports**

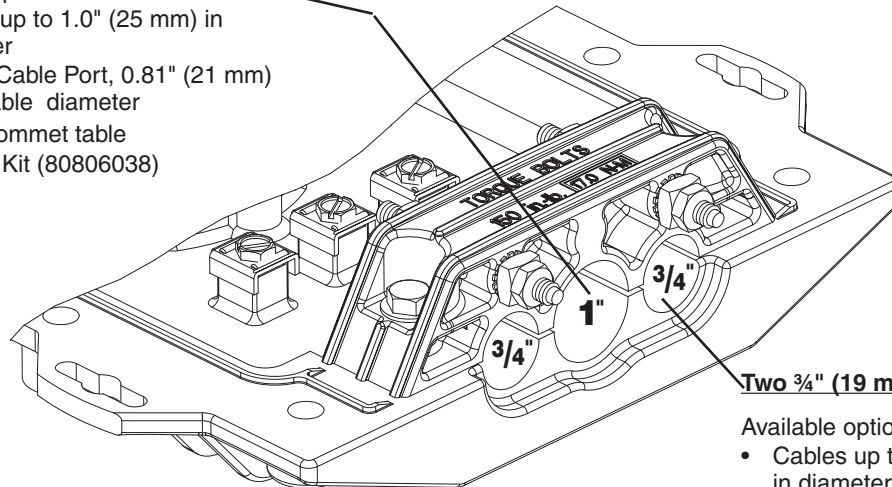
Available options:

- Cables up to 1.25" (32 mm) in diameter
- Future Cable Port, 1" (25 mm) max. cable diameter
- See Grommet table
- 1 1/4" Plug Kit (80806181)

**1" (25 mm) Ports**

Available options:

- Cables up to 1.0" (25 mm) in diameter
- Future Cable Port, 0.81" (21 mm) max. cable diameter
- See Grommet table
- 1" Plug Kit (80806038)



**Two 3/4" (19 mm) Ports**

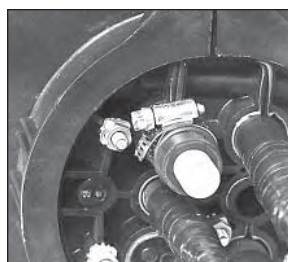
Available options:

- Cables up to 0.75" (19 mm) in diameter
- See Grommet table
- 3/4" Plug (80806181) Two/Kit

# COYOTE® Closure End Plates and Accessories

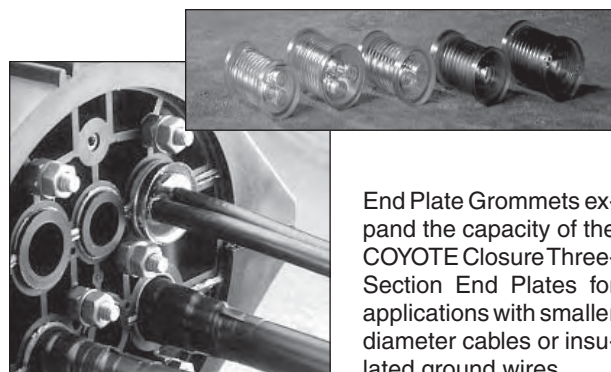
## Future Cable Port Kit

When installed during the initial assembly, Future Cable Ports allow for the addition of branch cables in the future with no disruption to the existing cables and the fibers within them.



Future Cable Port Kits								
Catalog Number	Description	End Plate Port Size				End Plate Usage		
		¾"	⅞"	1.0"	1¼"	Runt	6 Port	4 Port
8003371	Future cable port kit for ⅞" Port, includes (1) cable port, (1) plug and (1) clamp		X				X	
8003407	Future cable port kit for 1" Port, includes (1) cable port, (1) plug and (1) clamp			X		X		X
8003409	Future cable port kit for 1¼" Port includes (1) cable port, (1) plug and (1) clamp				X			X
8003291	Future cable installation kit, includes LOCK-TAPE sealant, bead sealant and I-bracket	X	X	X	X	X	X	X
8003289	Future cable port for ⅞" port plus installation kit (8003291)		X				X	
8003408	Future cable port for 1" port plus installation kit (8003291)			X		X		
80033410	Future cable port for 1¼" port plus installation kit (8003291)				X			X

## COYOTE Closure End Plate Grommets



End Plate Grommets expand the capacity of the COYOTE Closure Three-Section End Plates for applications with smaller diameter cables or insulated ground wires.

The grommets are manufactured from a weather-resistant urethane material that is designed to ensure a tight and permanent seal. A Silicone Sealant is provided to lubricate the grommet and cables for easy installation.

The entry holes in the multi-entry grommets are covered with a thin layer of urethane material to provide a choice of which entries are to be used for future cable entries.

See Grommet charts on the following page.

End Plate Installation Material Kits	
Catalog Number	Description
80805105	6 Port end plate kit, includes (1) end plate assembly, (1) full set of plugs and LOCK-TAPE sealing materials
80805739	4 Port end plate kit, includes (1) end plate assembly, (1) full set of plugs and LOCK-TAPE sealing materials
80806037	Plug Kit for ¾" ports (2 per kit)
80806180	Plug Kit for ⅞" ports (2 per kit)
80806038	Plug Kit for 1.0" ports (2 per kit)
80806181	Plug Kit for 1¼" ports (2 per kit)



# COYOTE® Closure End Plates and Accessories

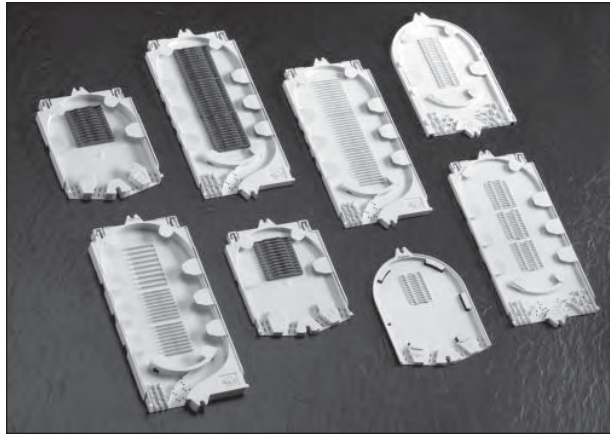
Single Port Grommets										
PLP Catalog Number (End Color)	Hole Pattern	Entries	Factory Slit	Accepted Cable Diameter Range inches (mm)	Coyote Runt Standard and Expanded Port Sizes		COYOTE 6 Port End Plate Port Sizes		COYOTE 4 Port End Plate Port Sizes	
					¾"	1"	¾"	7/8"	1"	1¼"
8003394 (Green)		1	NO	.31 - .38 (7.8 - 9.6)	X		X			
8003395 (Green)		1	NO	.31 - .38 (7.8 - 9.6)				X		
8003473 (Light Blue)		1	NO	.43 - .48 (11 - 12.2)		X			X	
8003494 (Yellow)		1	NO	.48 - .53 (12.2 - 13.5)		X			X	
8003495 (Gray)		1	NO	.53 - .58 (13.4 - 14.7)		X			X	
8003496 (Light Blue)		1	NO	.43 - .48 (11 - 12.2)						X
8003497 (Yellow)		1	NO	.48 - .53 (12.2 - 13.5)						X
8003498 (Gray)		1	NO	.53 - .58 (13.4 - 14.7)						X
8003500 (Orange)		1	NO	.38 - .43 (9.6 - 11)	X		X			
8003501 (Orange)		1	NO	.38 - .43 (9.6 - 11)				X		
8003596 (Light Blue)		1	NO	.43 - .48 (11 - 12.2)	X		X			
8003597 (Light Blue)		1	NO	.43 - .48 (11 - 12.2)				X		
8003598 (Yellow)		1	NO	.48 - .53 (12.2 - 13.5)	X		X			
8003599 (Yellow)		1	NO	.48 - .53 (12.2 - 13.5)				X		
8003600 (Gray)		1	NO	.53 - .58 (13.4 - 14.7)	X		X			
8003601 (Gray)		1	NO	.53 - .58 (13.4 - 14.7)				X		
8003497 (Yellow)		1	NO	.48 - .53 (12.2 - 13.5)						X
8003671 (Light Blue)		1	YES	.43 - .48 (11 - 12.2)	X		X			
8003674 (Gray)		1	YES	.53 - .58 (13.4 - 14.7)	X		X			
8003689 (Yellow)		1	YES	.48 - .53 (12.2 - 13.5)	X		X			
8003675 (Gray)		1	YES	.53 - .58 (13.4 - 14.7)				X		

# COYOTE® Closure End Plates and Accessories

Multi-Port Grommets										
PLP Catalog Number (End Color)	Hole Pattern	Entries	Factory Slit	Accepted Cable Diameter Range inches (mm)	Coyote Runt Standard and Expanded Port Sizes		COYOTE 6 Port End Plate Port Sizes		COYOTE 4 Port End Plate Port Sizes	
					¾"	1"	¾"	7/8"	1"	1¼"
8003392 (Red)		2	NO	.27 - .31 (6.8 - 7.8)	X		X			
8003393 (Green)		2	NO	.31 - .38 (7.8 - 9.6)				X		
8003399 (Orange)		2	NO	.38 - .43 (9.6 - 11)		X			X	
8003608 (Light Blue)		2	NO	Corning SST (Flat Drop)	X		X			
8003730 (Light Blue)		2	YES	Corning SST (Flat Drop)	X		X			
8003536 (Black)		3	NO	.18 - .24 (4.5 - 6.1)		X			X	
800010621 (Black)		3	NO	.18 - .24 (4.5 - 6.1)				X		
8003389 (Red)		3	NO	.27 - .31 (6.8 - 7.8)				X		
8003390 (Blue)		3	NO	.20 - .27 (5.1 - 6.8)				X		
8003391 (Blue)		3	NO	.20 - .27 (5.1 - 6.8)	X		X			
8003400 (Blue)		3	NO	.31 - .38 (7.8 - 9.6)		X			X	
8003402 (Red)		3	NO	.27 - .31 (6.8 - 7.8)		X			X	
8003403 (Orange)		3	NO	.38 - .43 (9.6 - 11)						X
8003609 (Light Blue)		3	NO	Corning SST (Flat Drop)				X		
8003731 (Light Blue)		3	YES	Corning SST (Flat Drop)				X		
8003401 (Blue)		4	NO	.20 - .27 (5.1 - 6.8)		X			X	
8003404 (Green)		4	NO	.31 - .38 (7.8 - 9.6)						X
8003405 (Blue)		4	NO	.20 - .27 (5.1 - 6.8)						X
8003406 (Red)		4	NO	.27 - .31 (6.8 - 7.8)						X
8003575 (Brown)		4	NO	.12 - .16 (3 - 4.1)				X		
8003607 (Red)		4	NO	.27 - .31 (6.8 - 7.8)		X			X	
8003610 (Light Blue)		4	NO	Corning SST (Flat Drop)		X			X	
8003743 (Light Blue)		4	YES	Corning SST (Flat Drop)		X			X	
8003576 (Brown)		6	NO	.12 - .16 (3 - 4.1)		X			X	
8003611 (Light Blue)		6	NO	Corning SST (Flat Drop)						X
8003744 (Light Blue)		6	YES	Corning SST (Flat Drop)						X
8003582 (Brown)		10	NO	.12 - .16 (3 - 4.1)						X



# COYOTE® Closure Splice Tray Kits



<b>COYOTE Closure Splice Tray Kits</b>			
<b>Catalog Number</b>	<b>Description</b>	<b>6.5" x 17" or Smaller</b>	<b>6" x 22" or Larger</b>
80807701	12 Count Low Profile Tray w/plastic splice block - single fusion splices	X	
80807769	12 Count Low Profile Tray (Blank) No Splice Block	X	
80806033	12 Count Standard Tray w/elastomeric splice block - Fusion & mechanical splices	X	
80806182	12 Count Standard Tray (Blank) - No Splice Block	X	
80807114	72 Count Ribbon Tray w/Elastomeric Splice Block for Mass Fusion	X	
80808160	Ribbon Tray (Blank) No splice Block	X	
8001127	36 Count Low Profile Tray w/plastic splice block - single fusion splices		X
80807769	Blank Low Profile Splice Tray		X
80805514	36 Count Standard Tray w/elastomeric splice blocks - Fusion & mechanical splices		X
80805110	36 Count Standard Tray w/fixed rigid slots		X
80805509	36 Count Standard Tray (Blank) - No splice Block		X
80805146	144 Count Ribbon Tray w/fixed rigid slots		X
80805515	144 Count Ribbon Tray w/2 elastomeric splice blocks		X
80805510	144 Count Ribbon Tray (Blank) - No splice blocks		X