



[Catalog Home](#)

Product Datasheet ANDERSON FARGO

**GDE5100 -- Automatic Guy Wire Deadend**



Automatic Guy Wire Deadend, 1/4" 7 Strand, HS, EHS, Common, Siemens-Martin, Utilities and Bell System Strand

For more information or to place an order, please contact Supply Solutions at 866-978-7759. Courtesy of Hubbell Power Systems.

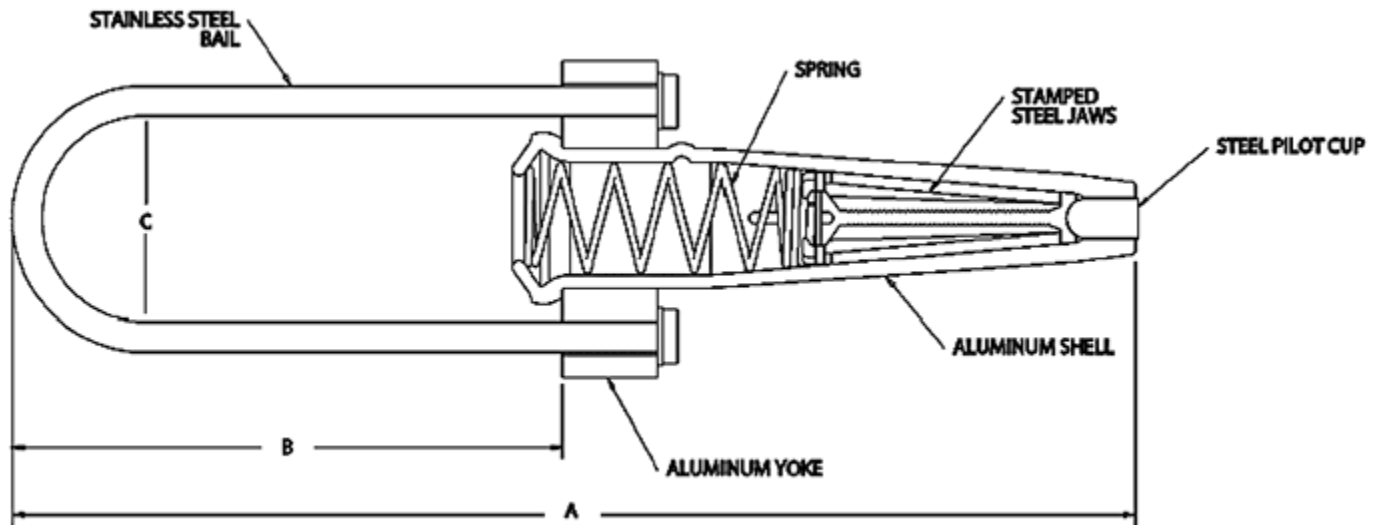
**Product Specifications**

<p>Category Image</p>	<p><b>Guy Wire Deadends</b></p> <p>Automatic, Formed Wire, Bolted Galvanized, Alumoweld</p>
<p>Series Image (Auto Guy Deadends)</p>	<p><b>GDE 5100 Series</b></p> <p>Automatic Dead End Std Guy Wire</p>
<p>PDF Catalog Page</p>	<p>Click <a href="#">HERE</a> to view PDF Catalog.</p>
<p>Guy Wire Type</p>	HSS, Common, Siemens-Martin, Utilities and Bell System Strand
<p>Nominal Guy Wire Size</p>	1/4" 7 Strand
<p>Bail Option</p>	Standard
<p>Type</p>	Automatic
<p>Material</p>	Steel
<p>Shell Material</p>	HS Aluminum Alloy
<p>Jaw Material</p>	HS Plated Steel

Yoke Material	Aluminum Alloy
Bail Material	Stainless Steel
Assembly Rating (Ultimate)	6,700 lb (3038 kg)
Dimension A	9.2 in
Dimension B	5.5 in
Dimension C	1.4 in
Minimum Conductor Diameter	0.240 in
Maximum Conductor Diameter	0.253 in
Weight / Ea.	0.37 lbs
Standard Package	50
UPC Code	09635936344

## Compressed Product Number

GDE5100



Dimensions

[Catalog Home](#)

[Warranty Info](#) | [Trademarks](#) | [Terms of Use](#)

All contents Copyright © 2007 Hubbell Power Systems, Inc. All rights reserved.

NOTE: Because Hubbell has a policy of continuous product improvement, we reserve the right to change design and specifications without notice.



For more information or to place an order,  
please contact Supply Solutions at  
866-978-7759.  
Courtesy of Hubbell Power Systems.