

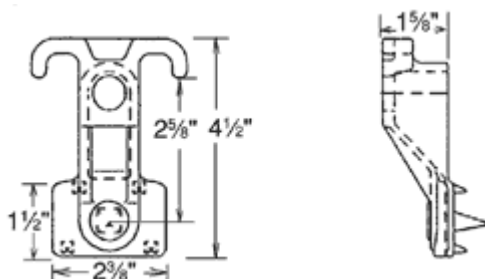


Catalog Home

Product Datasheet

CHANCE

GH5ILS -- HOOK, GUY



Guy Hook, cast ductile iron, for down guy applications. Mounts with 5/8" through bolt and has cast integral lag spur.

Product Specifications

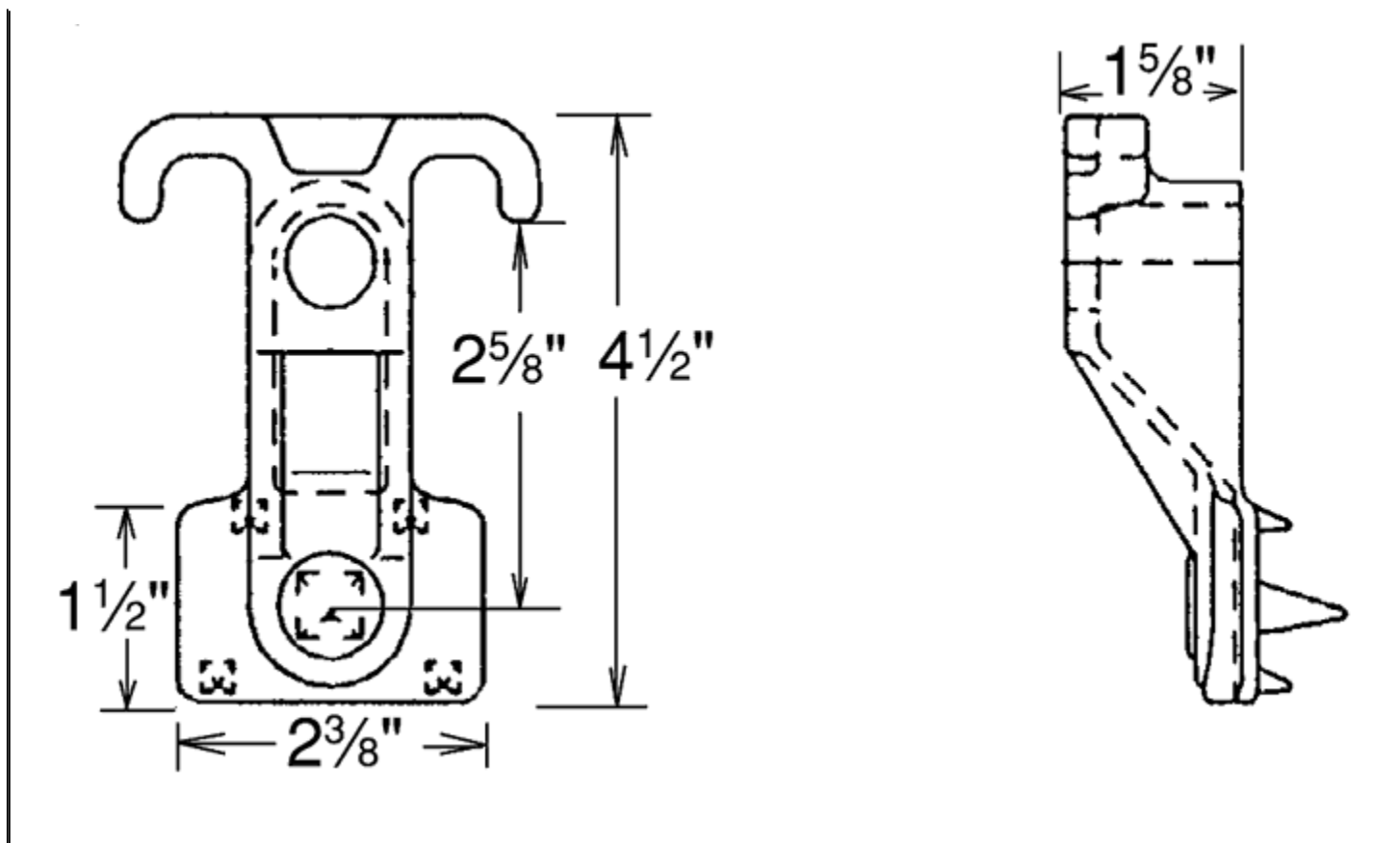
Product Group	Guy Attachment
Product Type	Guy Hook
Mounting Bolt	5/8"
Options	Cast Integral Lag Spur
Product Finish	Galvanized
Material	Cast Ductile Iron
Return Type	Standard
UPC Code	09635903673
Standard Package	25
Unit of Measure	EA
Min Order Qty	25
Pallet Quantity	1200
Weight / Ea.	1.499 lbs
Drawing	Click HERE to view drawing.
Previous Cooper Power Systems No.	DG22H1 (Equal)

Compressed Product Number

GH5ILS



For more information or to place an order, please contact Supply Solutions at 866-978-7759. Courtesy of Hubbell Power Systems.



[Catalog Home](#)



[Warranty Info](#) | [Trademarks](#) | [Terms of Use](#)

All contents Copyright © 2007 Hubbell Power Systems, Inc. All rights reserved.

NOTE: Because Hubbell has a policy of continuous product improvement, we reserve the right to change design and specifications without notice.



For more information or to place an order,
 please contact Supply Solutions at
 866-978-7759.
 Courtesy of Hubbell Power Systems.