



[Catalog Home](#)

Product Datasheet **ANDERSON FARGO**

**GDE5101 -- Automatic Guy Wire Deadend**



Automatic Guy Wire Deadend, 5/16" 7 Strand, HS, Common, Siemens-Martin, Utilities and Bell System Strand

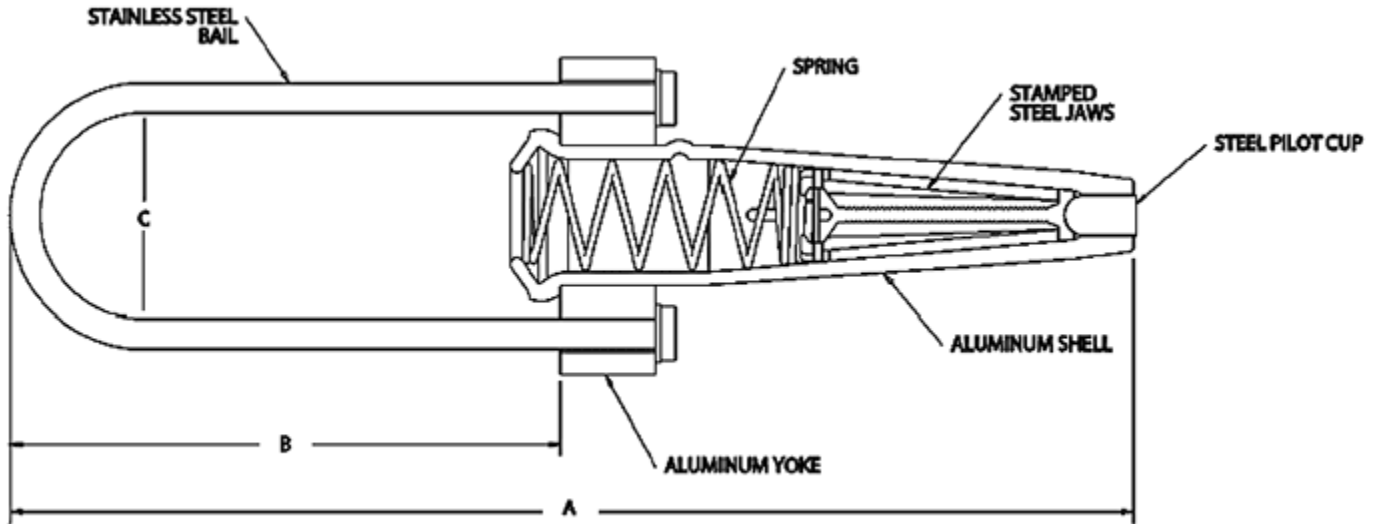
For more information or to place an order, please contact Supply Solutions at 866-978-7759. Courtesy of Hubbell Power Systems.

**Product Specifications**

<p>Category Image</p>	<p><b>Guy Wire Deadends</b></p> <p>Automatic, Formed Wire, Bolted Galvanized, Alumoweld</p>
<p>Series Image (Auto Guy Deadends)</p>	<p><b>GDE 5100 Series</b></p> <p>Automatic Dead End Std Guy Wire</p>
<p>PDF Catalog Page</p>	<p>Click <a href="#">HERE</a> to view PDF Catalog.</p>
<p>Guy Wire Type</p>	HSS, Common, Siemens-Martin, Utilities and Bell System Strand
<p>Nominal Guy Wire Size</p>	5/16" 7 Strand
<p>Bail Option</p>	Standard
<p>Type</p>	Automatic
<p>Material</p>	Steel
<p>Shell Material</p>	HS Aluminum Alloy
<p>Jaw Material</p>	HS Plated Steel

Yoke Material	Aluminum Alloy
Bail Material	Stainless Steel
Assembly Rating (Ultimate)	8,000 lb (3628 kg)
Dimension A	9.5 in
Dimension B	5.6 in
Dimension C	1.5 in
Minimum Conductor Diameter	0.310 in
Maximum Conductor Diameter	0.335 in
Weight / Ea.	0.66 lbs
Standard Package	50
UPC Code	09635936345

<b>Compressed Product Number</b>
GDE5101



Dimensions

[Catalog Home](#)



For more information or to place an order, please contact Supply Solutions at 866-978-7759. Courtesy of Hubbell Power Systems.

[Warranty Info](#) | [Trademarks](#) | [Terms of Use](#)

All contents Copyright © 2007 Hubbell Power Systems, Inc. All rights reserved.

NOTE: Because Hubbell has a policy of continuous product improvement, we reserve the right to change design and specifications without notice.